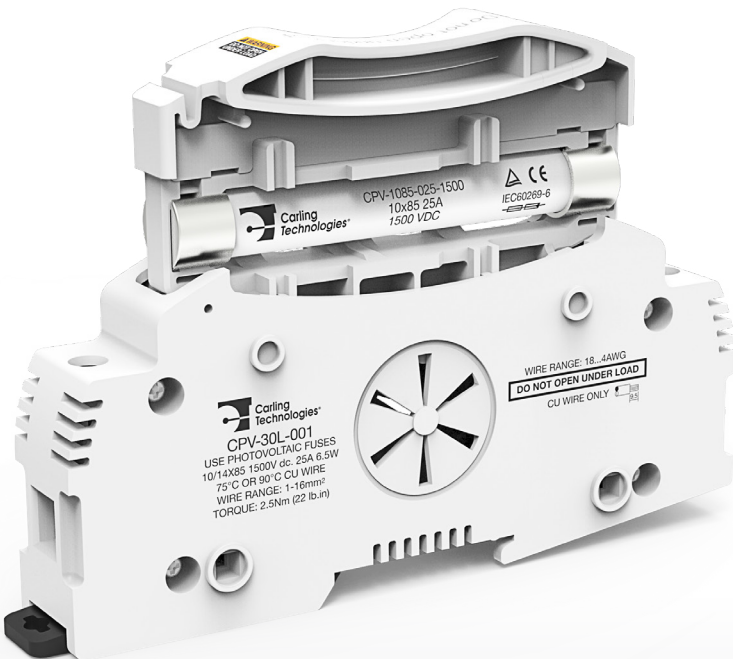
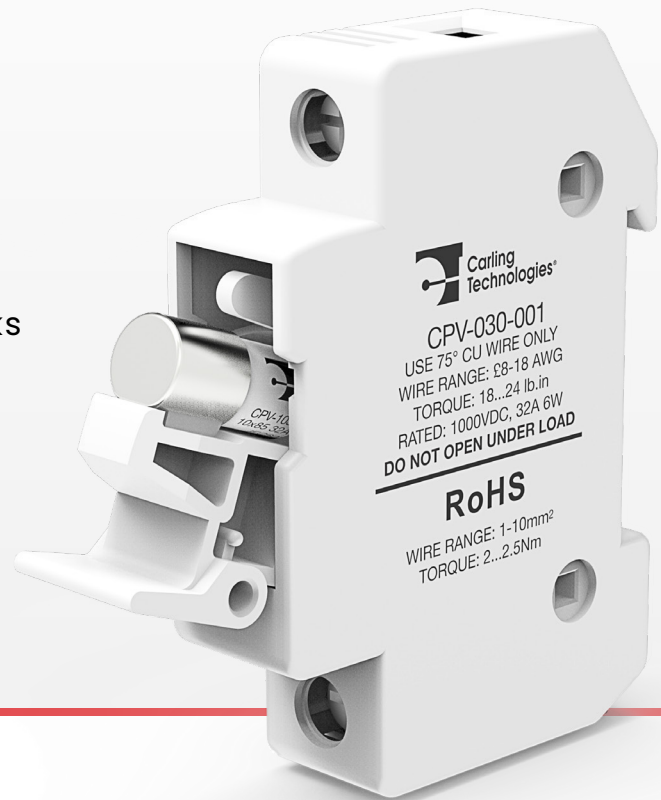


CPV-Series

DIN Rail Mount Fuse Holders & Fuse Links
for Photovoltaic Systems

PRODUCT WEBPAGE

request sample, configure part, watch video



Designed for photovoltaic applications, the CPV-1038 and CPV-1085 offer high performance, reliable circuit protection solutions for installation into various system locations. These compact fuses are also ideal for isolating photovoltaic module strings during maintenance and require no fuse pullers or tools for fuse removal.

CPV-1038
1000VDC, up to 32A

CPV-1085
1500VDC, up to 30A

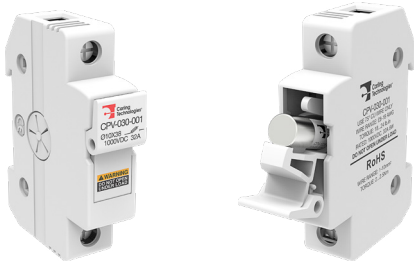
20kA
rated capacity

Typical Applications

- Photovoltaic Systems
- Combiner Boxes
- Inverters

Tech Specs

CPV-030 Fuse Holder



Electrical

| | |
|--|-------------------------------------|
| Current Rating | TUV: 32 Amps Max UL: 30 Amps Max |
| Voltage Rating | 1000VDC Max |
| Rated Impulse Withstand | 6kV |
| Voltage Uimp Conditional Short Circuit | 20kA |
| Current Utilization Category | DC-PV0 |

Environmental

| | |
|------------------------------|-----------------------|
| Operating Temperature | -50°C to +90°C |
| Installation Site (Altitude) | 2000 meters Max |
| Storage Temperature | -50°C to +90°C |
| Storage Requirement | Avoid Direct Sunlight |

Agency Approvals

| |
|----------------------------|
| TUV EN 60947-1: 2007+A1+A2 |
| TUV EN 60947-3: 2009+A1+A2 |
| UL 4248-1,-19 |

CPV-1038 Fuse Link: 1000VDC, 1-32A



Electrical

| | |
|-------------------------|--|
| Rated Current | TUV: 1, 2, 3, 4, 5, 6, 8, 10, 12, 15, 16, 20, 25, 30, 32A UL: 2, 3, 4, 5, 6, 8, 10, 12, 15, 16, 20, 25, 30A |
| Voltage Rating | 1000VDC Max |
| Power Dissipation | no more than 2.5W at 0.7In / no more than 4.5W at In |
| Rated Breaking Capacity | 20kA |
| Arc Voltage Limits | 3500 V (peak value) |
| Utilization Category | gPV |

Physical

| | |
|---------------------------|------------------------|
| Contact | Brass Alloy and Silver |
| Main "Fuse-Link" | Silver |
| Fuse-Tube | Porcelain |
| Arc Extinction Stuffing | Silicon Dioxide |
| Contact Surface Treatment | Silver Alloy |

Environmental

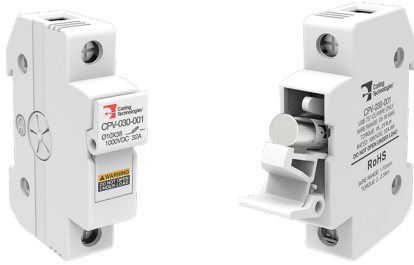
| | |
|------------------------------|-----------------------|
| Operating Temperature | -50°C to +90°C |
| Installation Site (Altitude) | 2000 meters Max |
| Storage Temperature | -50°C to +90°C |
| Storage Requirement | Avoid Direct Sunlight |

Agency Approvals

| |
|----------------------------|
| TUV EN 60269-6: 2011 |
| TUV EN 60269-1: 2007+A1+A2 |
| UL 248-1,-19 |

Ordering Scheme

CPV-030 Fuse Holder



Part No. **CPV - 030 - 001**

Selection 1 2 3

1. SERIES

CPV Carling Photovoltaic Fuse Holder

2. SIZE

030 10 x 38 mm (1000V Max Amps UL: 30, TUV: 32)

3. POLES

001 1 Pole

CPV-1038 Fuse Link: 1000VDC, 1-32A



Sample Part No. **CPV - 1038 - 032 - 1000**

Selection 1 2 3 4

1. SERIES

CPV Carling Photovoltaic Fuse Link

2. SIZE

1038 10 x 38 mm

3. CURRENT RATING

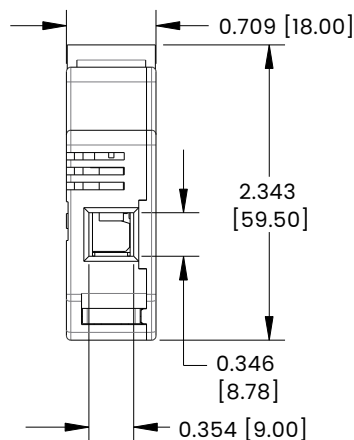
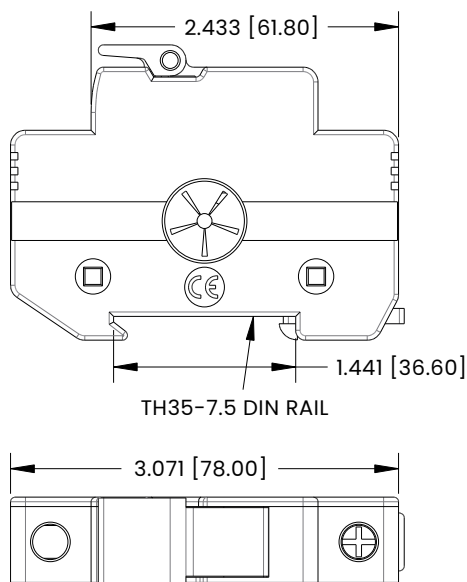
| | | | | | |
|------------|--------|------------|---------|------------|---------|
| 001 | 1 Amp | 006 | 6 Amps | 016 | 16 Amps |
| 002 | 2 Amps | 008 | 8 Amps | 020 | 20 Amps |
| 003 | 3 Amps | 010 | 10 Amps | 030 | 30 Amps |
| 004 | 4 Amps | 012 | 12 Amps | 032 | 32 Amps |
| 005 | 5 Amps | 015 | 15 Amps | | |

4. VOLTAGE RATING

1000 1000 Volts

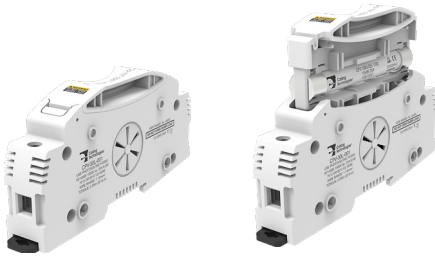
Dimensional Specs

inches [millimeters]



Tech Specs

CPV-30L Fuse Holder



Electrical

| | |
|--|-------------------------------------|
| Current Rating | TUV: 25 Amps Max UL: 30 Amps Max |
| Voltage Rating | 1500VDC Max |
| Rated Impulse Withstand | 8kV |
| Voltage Uimp Conditional Short Circuit | 20kA |
| Current Utilization Category | DC-PV0 |

Environmental

| | |
|------------------------------|-----------------------|
| Operating Temperature | -50°C to +90°C |
| Installation Site (Altitude) | 2000 meters Max |
| Storage Temperature | -50°C to +90°C |
| Storage Requirement | Avoid Direct Sunlight |

Agency Approvals

| |
|----------------------------|
| TUV EN 60947-1: 2007+A1+A2 |
| TUV EN 60947-3: 2009+A1+A2 |
| UL 4248-1,-19 |

CPV-1085 Fuse Link: 1500VDC, 2-30A



Electrical

| | |
|-------------------------|---|
| Rated Current | TUV: 2, 3, 4, 5, 6, 8, 10, 12, 15, 20, 25A UL: 2, 3, 4, 5, 6, 8, 10, 12, 15, 20, 25, 30A |
| Voltage Rating | 1500VDC Max |
| Power Dissipation | no more than 3.52W at 0.7In/ no more than 6.56W at In |
| Rated Breaking Capacity | 20kA |
| Arc Voltage Limits | 5000 V (peak value) |
| Utilization Category | gPV |

Physical

| | |
|---------------------------|------------------------|
| Contact | Brass Alloy and Silver |
| Main "Fuse-Link" | Silver |
| Fuse-Tube | Porcelain |
| Arc Extinction Stuffing | Silicon Dioxide |
| Contact Surface Treatment | Silver Alloy |

Environmental

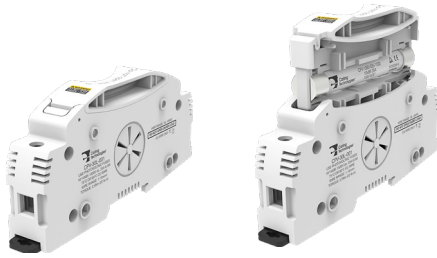
| | |
|------------------------------|-----------------------|
| Operating Temperature | -50°C to +90°C |
| Installation Site (Altitude) | 2000 meters Max |
| Storage Temperature | -50°C to +90°C |
| Storage Requirement | Avoid Direct Sunlight |

Agency Approvals

| |
|----------------------------|
| TUV EN 60269-6: 2011 |
| TUV EN 60269-1: 2007+A1+A2 |
| UL 248-1,-19 |

Ordering Scheme

CPV-30L Fuse Holder



Part No. **CPV - 30L - 001**

Selection 1 2 3

1. SERIES

CPV Carling Photovoltaic Fuse Holder

2. SIZE

30L 10 x 85 mm (1500V - Max Amps UL: 30, TUV: 25)

3. POLES

001 1 Pole

CPV-1085 Fuse Link: 1500VDC, 2-30A



Sample Part No. **CPV - 1085 - 030 - 1500**

Selection 1 2 3 4

1. SERIES

CPV Carling Photovoltaic Fuse Link

2. SIZE

1085 10 x 85 mm

3. CURRENT RATING

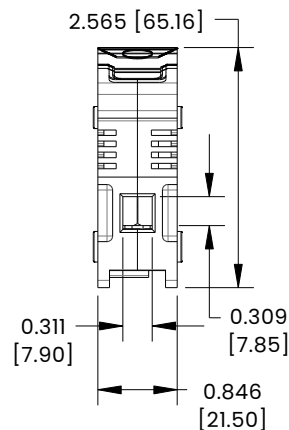
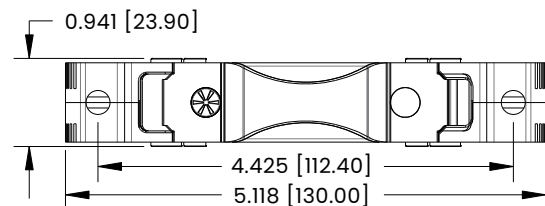
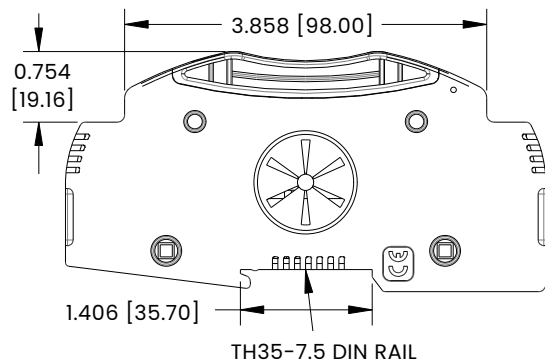
| | | | | | |
|------------|--------|------------|---------|------------|---------|
| 002 | 2 Amps | 006 | 6 Amps | 015 | 15 Amps |
| 003 | 3 Amps | 008 | 8 Amps | 020 | 20 Amps |
| 004 | 4 Amps | 010 | 10 Amps | 025 | 25 Amps |
| 005 | 5 Amps | 012 | 12 Amps | 030 | 30 Amps |

4. VOLTAGE RATING

1500 1500 Volts

Dimensional Specs

inches [millimeters]



Authorized Sales Representatives and Distributors

Click on a region of the map below to find your local representatives and distributors or visit www.carlingtech.com/findarep.



About Carling

Founded in 1920, Carling Technologies is a leading manufacturer of electrical and electronic switches and assemblies, circuit breakers, electronic controls, power distribution units, and multiplexed power distribution systems. With six ISO9001 and IATF16949 registered manufacturing facilities and technical sales offices worldwide, Carling Technologies Sales, Service and Engineering teams do much more than manufacture electrical components, they engineer powerful solutions! To learn more about Carling please visit www.carlingtech.com/company-profile.

To view all of Carling's environmental, quality, health & safety certifications please visit www.carlingtech.com/environmental-certifications.