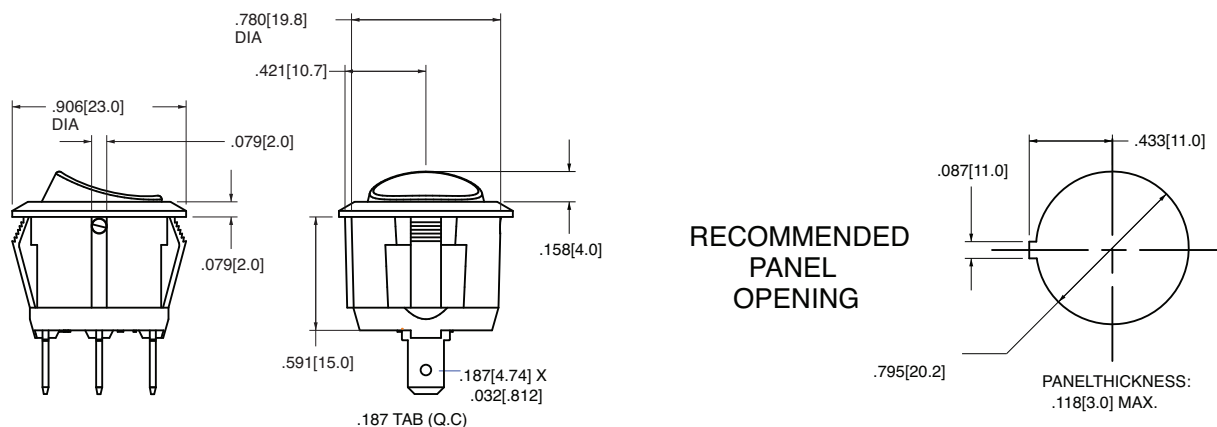


RR & LRR-Series Round Rocker Switches



The RR and LRR-Series round rocker switches feature a unique sculpted rocker design. The RR-Series is available with custom imprinting, and the lighted LRR-Series is available with dependent or independent, neon or incandescent illumination, with red, green, amber or white translucent rockers. Installation is a snap, as this switch fits industry standard cutouts. These switches are ideal for many applications including Appliance, Vacuum cleaners, Office Automation, Food Service, Audio Visual, and Test and Measurement.

Dimensional Specifications in. [mm.]:



General Specifications:

Electrical

Contact Rating	Up to 12A 125VAC, 10A 250VAC 1/4HP
Dielectric Strength	1500V live to dead metal parts & opposite polarity
Life	50,000 cycles
Contacts	Silver-plated butt action contact mechanism
Terminals187 Tab, copper alloy, silver plated
Circuits	Single pole maintained and momentary
Contact material	AgNi 90/10
Initial Contact	
Resistance	Less than .003 phms
Insulation Resistance187 Tab, copper alloy, silver plated
Operating Temperature.	0 - 85°C

Physical

Base	Nylon 6/6
Actuator.	Nylon 6/6
Lighted Actuator.	Polycarbonate
Actuation Force	500 - 700 grams
Weight	5 grams ± .5 grams
Lighting.	Neon Lamp 125, 250 VAC Incandescent Lamp 6-28 VDC
Mounting Hole	Industry standard, 20.2 mm diameter

Mechanical

Endurance	100,000 cycles
---------------------	----------------

Agency Certifications



RR & LRR-Series Round Rocker Switch Catalog Ordering Scheme



1 SERIES

SINGLE POLE MINIATURE ROUND ROCKER	
RR	Solid Rocker
LRR	Lighted Rocker

2 CIRCUIT

RR-Series (Non-Illuminated)	
1	ON-NONE-OFF
2	(ON)-NONE-OFF
3	ON-NONE-(OFF)
4	ON-NONE-ON
5	ON-NONE-(ON)
6	ON-OFF-ON
LRR-Series (Illuminated)	
B	ON-NONE-OFF

3 RATING

1	10A, 125-250VAC; 12A, 125 VAC 1/4 HP 125-250VAC
3	6A, 28VDC N/C
4	12A, 12VDC
5	12A, 6VDC N/C

4 TERMINATION

2	.187 Tab
---	----------

5 ACTUATOR COLOR

RR-Series (Non-Illuminated) Solid Color	
B	Black
W	White
R	Red
LRR-Series (Illuminated) Transparent Color	
1	Amber
2	Red
3	Blue
4	Green
5	Clear

6 BASE COLOR

B	Black
W	White

7 LAMP VOLTAGE

N	None (RR-Series - Non-Illuminated)
A	6V Incandescent
B	12V Incandescent
C	28V Incandescent
J	125V Neon
K	250V Neon N/C

8 ROCKER FACE LEGEND

N	No imprinting
A	ON-OFF (vertical)
B	ON-OFF (horizontal)
D	I-O (horizontal)
E	I-O (vertical)
F	O (on rocker end)
G	II-O-I (vertical)
H	II-O-I (horizontal)
J	OFF-ON (vertical)
K	OFF-ON (horizontal)

NOTES

- For additional rating requirements, consult factory.
- Custom colors are available, consult factory.

Warranty Policy

Carling Technologies, Inc. (Seller) warrants that goods sold hereunder shall be free of defects in material and workmanship for one year from date of shipment.

In the event of such defects, the Seller's only obligation shall be the replacement or the cost of the defective goods, themselves, excluding, without limitation, labor costs, which are or may be required in connection with the replacement or reinstallation of the goods. This warranty is the Seller's sole obligation and excludes all other remedies or warranties, express or implied, including warranties of merchantability and fitness for a particular purpose, whether or not purposes or specifications are described herein. This Warranty expressly excludes any and all incidental, special and/or consequential damages of any nature. Seller further disclaims any responsibility for injury to person or damage to or loss of property or value caused by any product which has been subjected to misuse, negligence, or accident; or misapplied, or modified or repaired by a person or persons not authorized by the Seller or which have been improperly installed.

