

MAAOA/ 215-Series

Toggle Switches

PRODUCT WEBPAGE

request sample, configure part



The MAAOA/215-Series toggle switches are single pole, AC rated at 20 amps and 125 VAC. These switches are snap-in mounted, with a phenolic toggle and base, and are suitable for high ambient temperature applications.

1 Pole **10-20** Amps **125, 250** VAC

Typical Applications

- Coffee Makers
- Food Warmers

Tech Specs

Dielectric Strength

UL/CSA: 1000V - live to dead metal parts & opposite polarity

Electrical Life

25,000 cycles

Operating Temperature

32°F to 185°F (0° to 85°C)

Ordering Scheme

Sample Part Number MAAOA - BL / ON-OFF

Selection 1 2 3

1. SERIES

10A 250 VAC, 20A 125 VAC, 1/2 HP 125-250 VAC	.250 Tabs	Screw Terms.	Wire Leads
Single Pole			
On-None-Off	MAAOA	215	215-A
(On)-None-Off	MM-021	-	-

Notes:
Standard wire lead length is 6". For other wire lead length, use wire lead termination/function code and add "/" and the wire lead length required. Example: 215-A-BL/10"
1 Imprinting is available. ON-OFF legend is not standard and must be specified after color. If not specified, switch will be manufactured with no legend.
() Indicates momentary function.

2. BASE & ACTUATOR COLOR

BL	Black
WH	White

3. LEGEND ¹

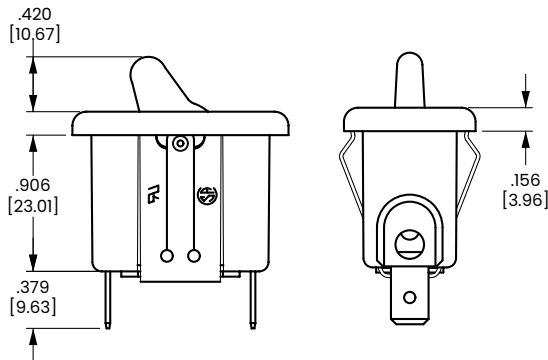
On-Off

[Configure Complete Part Number >](#)

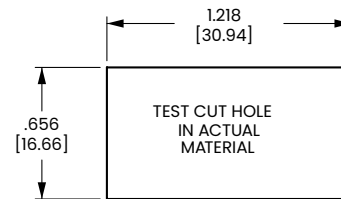
[Browse Standard Parts >](#)

Dimensional Specs

inches [millimeters]



.250 TAB (Q.C.)	SCREW (ASSEMBLED)	INTEGRATED WIRE LEAD (no exposed conductors)
TERMINAL TYPE		



MOUNTING HOLE

Panel Thickness: .030 [0.762] min - .090 [2.28] max.
Specific cutout dimension range dependent on panel thickness and material.

Authorized Sales Representatives and Distributors

Click on a region of the map below to find your local representatives and distributors or visit www.carlingtech.com/findarep.



About Carling

Founded in 1920, Carling Technologies is a leading manufacturer of electrical and electronic switches and assemblies, circuit breakers, electronic controls, power distribution units, and multiplexed power distribution systems. With six ISO9001 and IATF16949 registered manufacturing facilities and technical sales offices worldwide, Carling Technologies Sales, Service and Engineering teams do much more than manufacture electrical components, they engineer powerful solutions! To learn more about Carling please visit www.carlingtech.com/company-profile.

To view all of Carling's environmental, quality, health & safety certifications please visit www.carlingtech.com/environmental-certifications.

© Carling Technologies, Inc.

3. Carling is a registered trademark of Carling Technologies, Inc. in the U.S. and other countries.