

LS-Series

Rocker Switches

PRODUCT WEBPAGE

request sample, configure part



The LS-Series Softspot illuminated rocker switches feature a three-color high brightness light sequence, from a single lamp. These switches are designed with a standard nylon snap-in bracket and “Drip-Dry” construction that protects the front panel from dust and moisture.

1
Pole

10-15
Amps

125-250
VAC Max

12-28
VDC Max

Typical Applications

• On/Off-Highway • Marine

Tech Specs

Dielectric Strength

1000V - live to dead metal parts

Electrical Life

50,000 cycles - maintained
25,000 cycles - momentary

Operating Temperature

32°F to 185°F (0°C to 85°C)

Ordering Scheme

Sample Part Number **LS1522 - 13 - BL - BL - 012**

Selection 1 2 3 4 5

1. SERIES

10A 250VAC, 15A 125VAC, 3/4 HP 125-250VAC, 15A 12-28VDC	Solder Lug	.250 Tab QC	Screw Terms	Wire Leads
Single Pole				
On-None-Off	LS1510	LS1511	LS1514	LS1515
On-None-(Off)	LS1520	LS1521	LS1524	LS1525
(On)-None-Off	LS1530	LS1531	LS1534	LS1535
On-None-On	LS1540	LS1541	LS1544	LS1545
On-None-(On)	LS1550	LS1551	LS1554	LS1555
On-Off-On	LS1560	LS1561	LS1564	LS1565
On--Off-(On)	LS1570	LS1571	LS1574	LS1575
(On)-Off-(On)	LS1580	LS1581	LS1584	LS1585

2. LIGHTING SEQUENCE

	position 1	position 2	position 3	31 green	clear	red
01 red	red	red	red	32 green	clear	amber
02 amber	amber	amber	amber	33 green	clear	green
03 green	green	green	green	34 green	clear	blue
10 red	---	---	none	35 green	clear	clear
11 red	clear	red	red	40 blue	---	none
12 red	clear	amber	amber	41 blue	clear	red
13 red	clear	green	green	42 blue	clear	amber
14 red	clear	blue	blue	43 blue	clear	green
15 red	clear	clear	clear	44 blue	clear	blue
20 amber	---	---	none	45 blue	clear	clear
21 amber	clear	red	red	50 clear	---	none
22 amber	clear	amber	amber	51 clear	clear	red
23 amber	clear	green	green	52 clear	clear	amber
24 amber	clear	blue	blue	53 clear	clear	green
25 amber	clear	clear	clear	54 clear	clear	blue
30 green	---	---	none	55 clear	clear	clear

3. ACTUATOR COLOR

BL Black WH White

4. BASE COLOR

BL Black WH White

5. LAMP VOLTAGE 2

incandescent	neon
6V 6 volt	125N 125 volt neon
12V 12 volt	250N 250 volt neon
18V 18 volt	
24V 24 volt	
28V 28 volt	

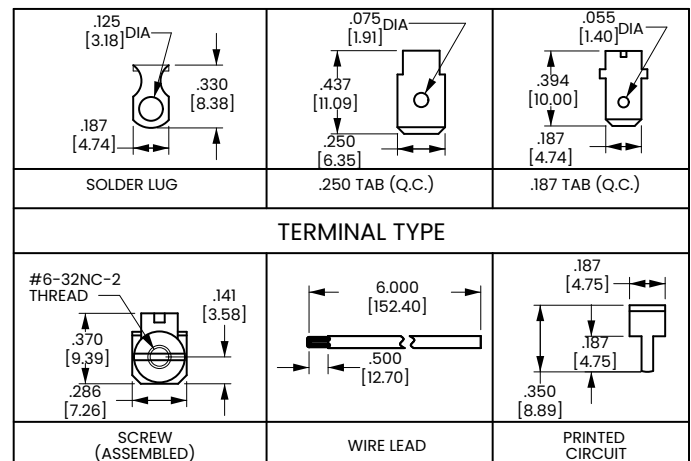
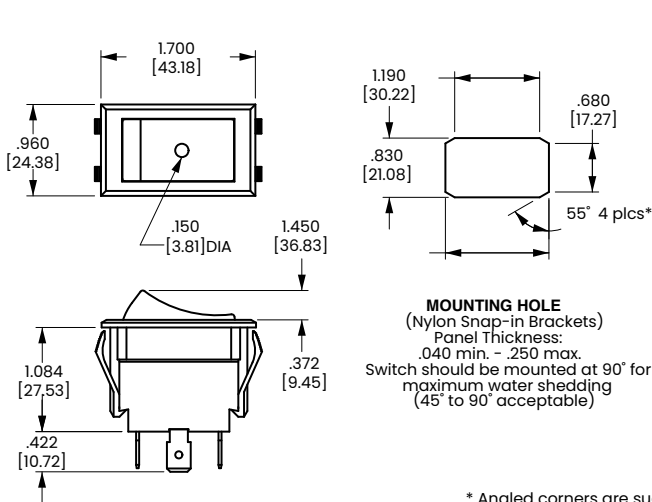
- 1 Independent lamp is standard. Dependent lamp with ON-OFF function (including momentary) is available with Lighting Sequences 10, 20, 30, 40 and 50. (No light in OFF position.)
- 2 Green and blue not recommended with 125 volt or 250 volt neon lamps.
- 3 Additional terminations available. Consult factory.
- 4 Custom colors available. Consult factory.
- () Indicates momentary function.

[Configure Complete Part Number >](#)

[Browse Standard Parts >](#)

Dimensional Specs

inches [millimeters]



* Angled corners are suggested for optimum fit. Standard rectangular cutout is acceptable.