

Circuit Breakers

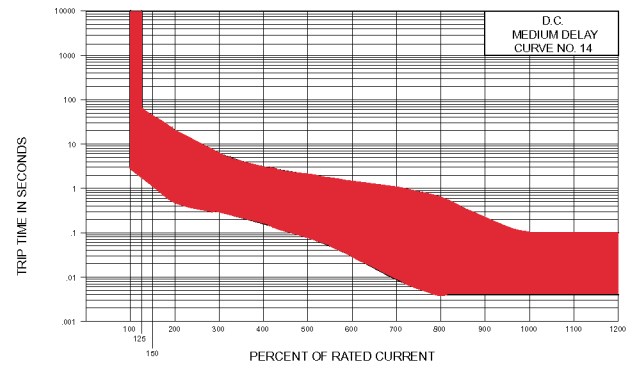
Circuit breakers can be ordered separately to upgrade or reconfigure panel at a later date. Standard circuit breaker part numbers are listed on the chart below. For other ratings, consult factory.

General Specifications:

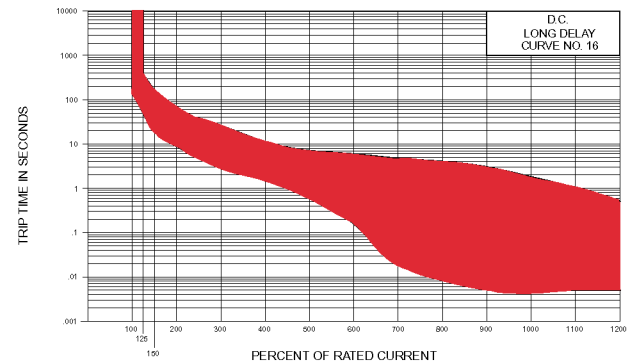
UL489, CSA and VDE approved
10,000 amp interrupting capacity

C-SERIES TIME DELAY VALUES										
TRIP TIME (SECONDS)	PERCENT OF RATED CURRENT									
	Delay	100%	125%	150%	200%	400%	600%	800%	1000%	1200%
	14	No trip	2.00-60.0	1.20-40.0	.600-20.0	.150-3.00	.030-1.30	.004-.600	.004-.100	.004-.100
16	No Trip	45.0-345	20.0-150	9.00-60.0	1.40-11.4	.150-5.80	.009-3.70	.005-1.70	.005-.500	

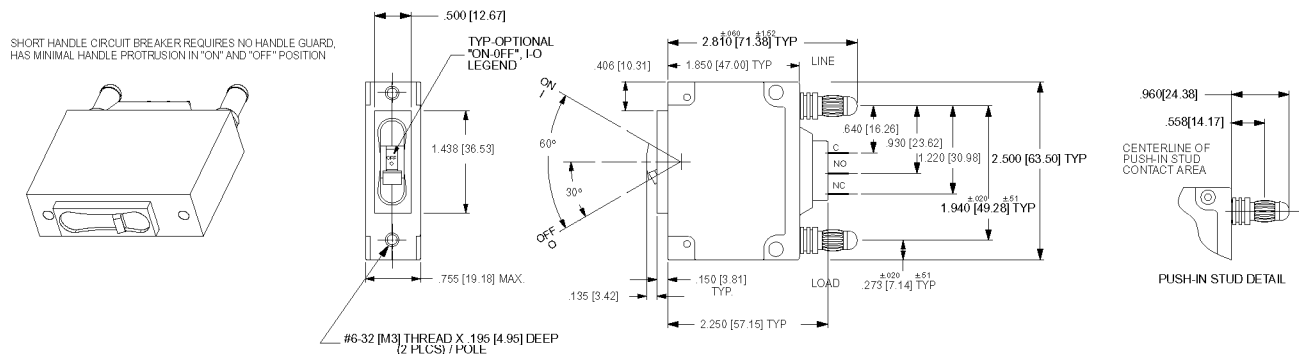
MEDIUM DELAY, CURVE #14			
RATING (amps)	STANDARD TRIP	MID-TRIP with LDC1-Series	MID-TRIP with LDC2-Series
1	CA1-X0-09-031-AX1-MF	CS1-X0-09-032-AX1-MF	CT1-X0-09-032-AX1-MF
3	CA1-X0-08-981-AX1-MF	CS1-X0-08-992-AX1-MF	CT1-X0-08-992-AX1-MF
5	CA1-X0-08-982-AX1-MF	CS1-X0-08-993-AX1-MF	CT1-X0-08-993-AX1-MF
10	CA1-X0-08-983-AX1-MF	CS1-X0-08-994-AX1-MF	CT1-X0-08-994-AX1-MF
15	CA1-X0-08-984-AX1-MF	CS1-X0-08-995-AX1-MF	CT1-X0-08-995-AX1-MF
20	CA1-X0-08-985-AX1-MF	CS1-X0-08-996-AX1-MF	CT1-X0-08-996-AX1-MF
25	CA1-X0-08-986-AX1-MF	CS1-X0-08-997-AX1-MF	CT1-X0-08-997-AX1-MF
30	CA1-X0-08-987-AX1-MF	CS1-X0-08-998-AX1-MF	CT1-X0-08-998-AX1-MF
35	CA1-X0-08-988-AX1-MF	CS1-X0-08-999-AX1-MF	CT1-X0-08-999-AX1-MF
40	CA1-X0-08-989-AX1-MF	CS1-X0-08-000-AX1-MF	CT1-X0-08-000-AX1-MF
45	CA1-X0-08-990-AX1-MF	CS1-X0-08-001-AX1-MF	CT1-X0-08-001-AX1-MF
50	CA1-X0-08-991-AX1-MF	CS1-X0-08-002-AX1-MF	CT1-X0-08-002-AX1-MF



LONG DELAY, CURVE #16			
RATING (amps)	STANDARD TRIP	MID-TRIP with LDC1-Series	MID-TRIP with LDC2-Series
1	CA1-X0-08-561-AX1-MF	CS1-X0-09-033-AX1-MF	CT1-X0-09-033-AX1-MF
3	CA1-X0-07-803-AX1-MF	CS1-X0-09-003-AX1-MF	CT1-X0-09-003-AX1-MF
5	CA1-X0-07-804-AX1-MF	CS1-X0-09-004-AX1-MF	CT1-X0-09-004-AX1-MF
10	CA1-X0-07-805-AX1-MF	CS1-X0-09-005-AX1-MF	CT1-X0-09-005-AX1-MF
15	CA1-X0-07-806-AX1-MF	CS1-X0-09-006-AX1-MF	CT1-X0-09-006-AX1-MF
20	CA1-X0-07-807-AX1-MF	CS1-X0-09-007-AX1-MF	CT1-X0-09-007-AX1-MF
25	CA1-X0-07-645-AX1-MF	CS1-X0-09-008-AX1-MF	CT1-X0-09-008-AX1-MF
30	CA1-X0-07-646-AX1-MF	CS1-X0-09-009-AX1-MF	CT1-X0-09-009-AX1-MF
35	CA1-X0-07-808-AX1-MF	CS1-X0-09-010-AX1-MF	CT1-X0-09-010-AX1-MF
40	CA1-X0-07-809-AX1-MF	CS1-X0-09-011-AX1-MF	CT1-X0-09-011-AX1-MF
45	CA1-X0-07-810-AX1-MF	CS1-X0-09-012-AX1-MF	CT1-X0-09-012-AX1-MF
50	CA1-X0-07-811-AX1-MF	CS1-X0-09-013-AX1-MF	CT1-X0-09-013-AX1-MF



Circuit Breakers Dimensional Specifications



SHORT HANDLE CIRCUIT BREAKER REQUIRES NO HANDLE GUARD, HAS MINIMAL HANDLE PROTRUSION IN "ON" AND "OFF" POSITION

TYP. OPTIONAL "ON-OFF" I/O LEGEND

#6-32 [M3] THREAD X .195 [4.95] DEEP (2 PLCS) / POLE