

C1005B-Series

Thermal Circuit Breaker

PRODUCT WEBPAGE

request sample, configure part



Combination Switch & Thermal Circuit Protector

Streamlining both switch and circuit protector into a single package, the C1005B-Series snaps into an industry standard .550 x 1.125 mounting hole to reduce wiring costs and save panel space. This single pole combination device is available with lighted or unlighted rocker actuator and rated from 7 to 16 amps, 125/250VAC, 32VDC with 1,000 AIC.

| | | | |
|----------|-------------|----------------|-----------|
| 1 | 7-16 | 125-250 | 32 |
| Pole | Amps | VAC Max | VDC Max |

Typical Applications

- Household & Commercial Appliances
- Power Strips and Supplies
- Generators
- On/Off-Highway
- Marine
- Telecom
- Audio-Visual Equipment
- Medical Equipment

Ordering Scheme

Sample Part Number **C1005B - 3 B 15 1 B R 3**

Selection 1 2 3 4 5 6 7 8

1. SERIES

C1005B

2. ILLUMINATION

2 Non-Lighted **3** Lighted

3. TERMINATION

A Solder Lug **B** .250 Tab

4. CURRENT RATING (AMPERES)

| | | |
|-------------------|-------------------|-------------------|
| 07 7 amps | 11 11 amps | 15 15 amps |
| 08 8 amps | 12 12 amps | 16 16 amps |
| 09 9 amps | 13 13 amps | |
| 10 10 amps | 14 14 amps | |

5. CONTACT MATERIAL ¹

1 Silver Cad Oxide (switch), Silver plated copper (breaker)

6. BEZEL LEGEND IMPRINT

B Black Bezel with white legend
W White Bezel with black legend
C Gray Bezel with black legend

7. ROCKER COLOR

R Red
G Green
U Blue
T Clear

Note: RESET OFF Legend is standard.

8 LAMP VOLTAGE

3 Neon Lamp 125/250 VAC **9** Non-lighted

Notes:

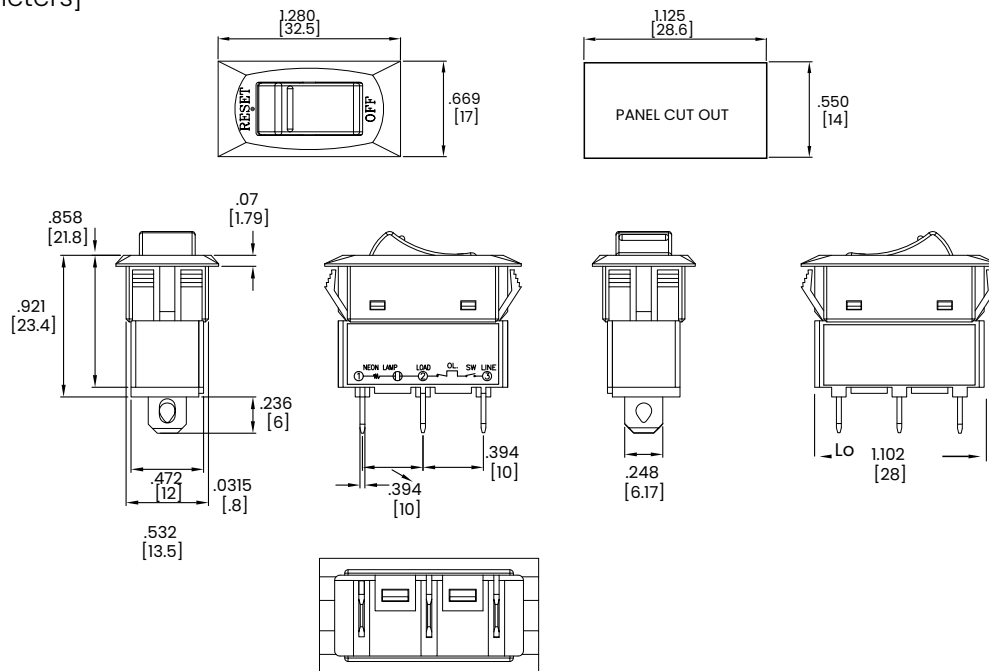
1. Silver cad oxide switch and breaker contacts are available as a special order. Specify 3 for selection 5

[Configure Complete Part Number >](#)

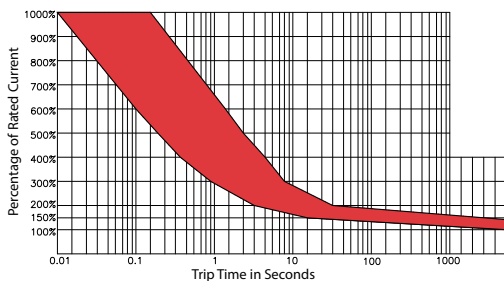
[Browse Standard Parts >](#)

Dimensional Specs

inches [millimeters]



Time Delay



| Overload | Trip Time |
|----------|------------------|
| 100% | No Trip |
| 150% | Trip in 1 hr |
| 200% | 3.0 ~ 60 sec. |
| 300% | 0.80 ~ 10.0 sec. |
| 400% | 0.40 ~ 5.5 sec. |
| 500% | 0.20 ~ 3.5 sec. |
| 600% | 0.08 ~ 2.0 sec. |

| Trip Time Factor ¹ | |
|-------------------------------|--------------|
| -10 °C x 1.70 | 30 °C x 0.90 |
| -5 °C x 1.60 | 35 °C x 0.85 |
| 0 °C x 1.50 | 40 °C x 0.80 |
| 5 °C x 1.40 | 45 °C x 0.75 |
| 10 °C x 1.30 | 50 °C x 0.70 |
| 15 °C x 1.20 | 55 °C x 0.65 |
| 20 °C x 1.10 | 60 °C x 0.60 |
| 25 °C x 1.00 | |

Notes:

1. Trip Time factor is a guideline that indicates ambient temperature effect on trip times at various overload values.