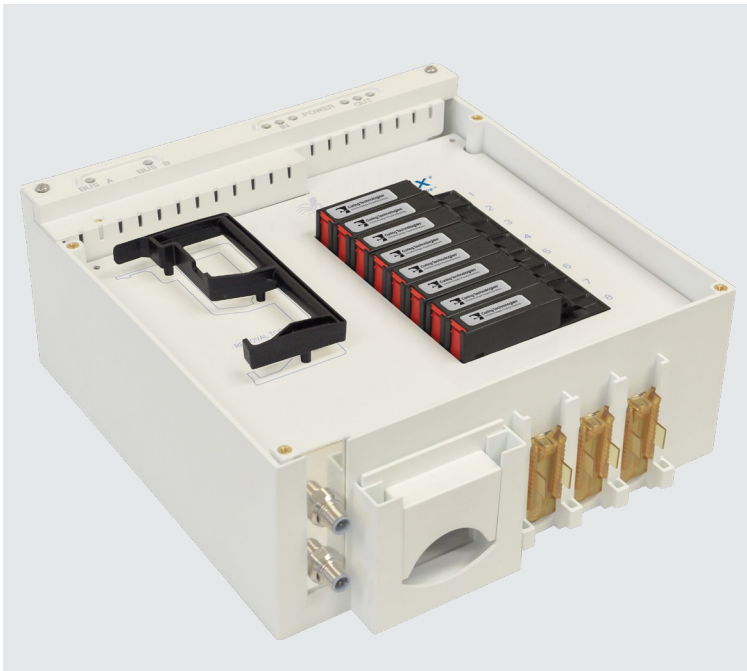


AC POWER DISTRIBUTION UNIT

A3000-8: 8 POSITION

The AC Power Distribution Unit provides up to 8 remotely controlled hydraulic magnetic circuit breakers that can be mounted virtually anywhere in the vessel. AC circuit breakers are available from 1 to 50 amps. The AC unit provides remotely controlled ON/OFF/RESET functions via NMEA2000® CAN bus. Each breaker can also be manually actuated. The maximum current capacity of this unit is 50 Amps.



Product Highlights:

- 50 Amps Maximum Capacity
- Remote Actuation of Breakers
- CAN BUS Communication



*Manufacturer reserves the right to change product specification without prior notice. Please refer to our website for the latest details.

General Specifications

Electrical

Operating Voltage, Power Input (Single Phase)	120VAC; Euro 230VAC
(Split Phase)	120/240VAC
CAN Bus Operating Voltage	9 VDC – 16 VDC, 15 VDC Nominal
Load Equivalence Number (LEN)	2

Mechanical

Dimensions	12.36" X 11.63" X 4.98"
CAN Bus Connectors	Two (2) Micro-C Male
CAN A Bus LED Indicator	Green / Red
CAN B Bus LED Indicator	Green / Red
MAIN Power In Indicator	Green (3)
MAIN Power Out Indicator	Green (3)
Mounting Holes	4 each
Orientation	Vertical Position (not flat)

Certifications

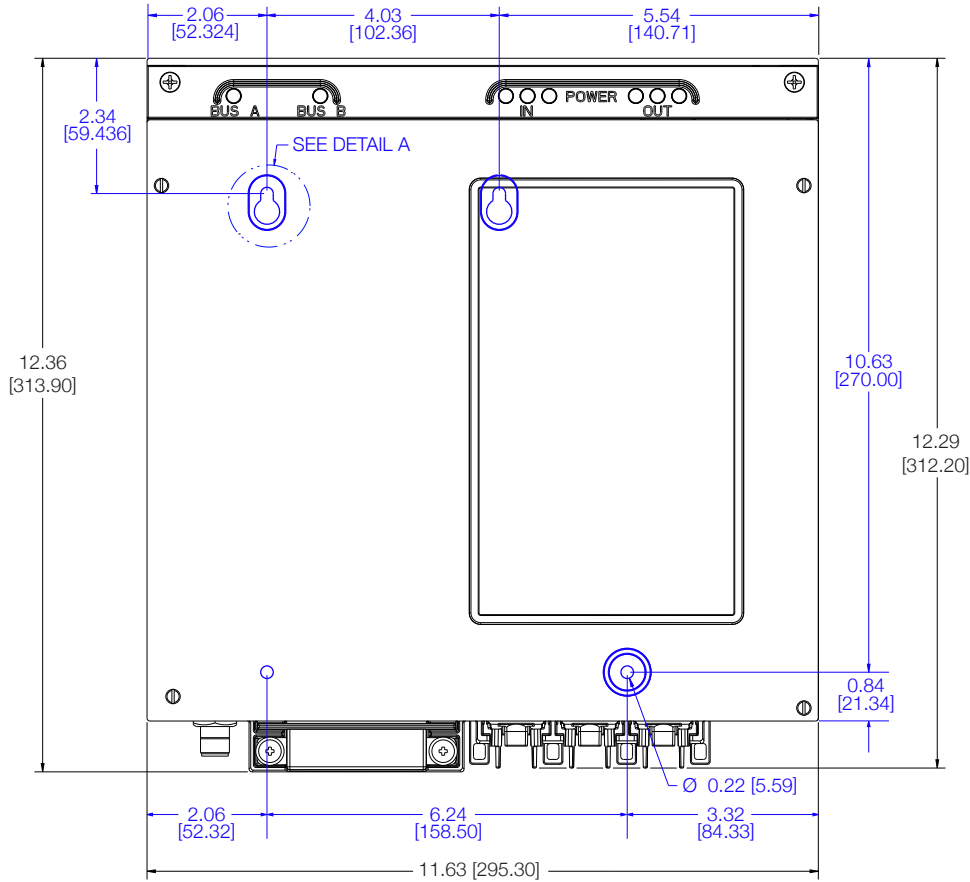
NMEA 2000	Category B
Lloyd's Register	Lloyd's Type Approved, Test Specification #1, Env 2
CE	IEC 60533 Electrical and Electronic Installations in Ships IEC 60945 Maritime Navigation and Radio Communication Equipment and Systems

Environmental

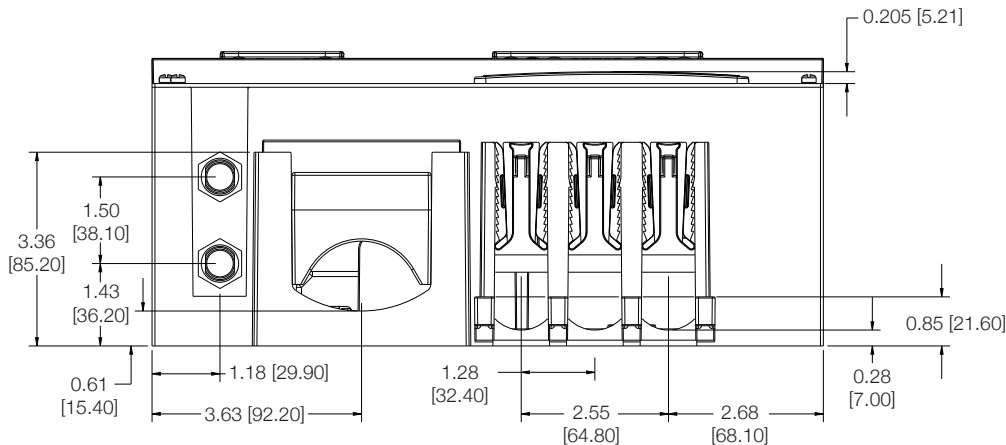
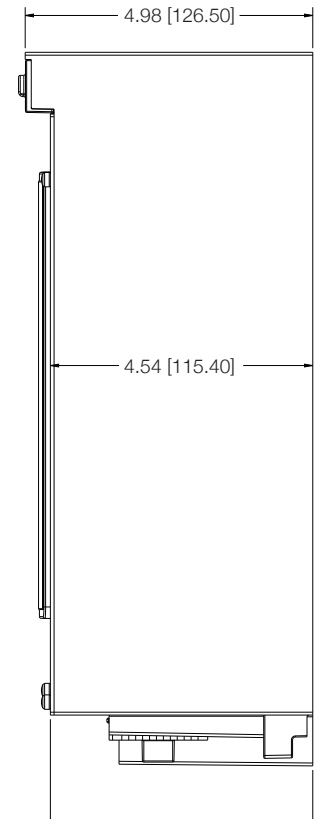
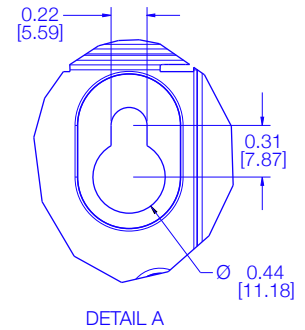
Radiated, RF Field Immunity	IEC-61000-4-3
Electrical Fast Transient/Burst Immunity	IEC 61000-4-4
Voltage Surge Immunity	IEC 61000-4-5
Conducted, Immunity	IEC 61000-4-6
Conducted Emissions	IEC 60945
Voltage Variation Immunity	IEC 61000-4-11
Conducted LF Immunity	IEC 61000-4-16
ESD Immunity	IEC-61000-4-2
Insulation Resistance	IEC-60092-504
Operating Temperature	-40°C to +55°C
Storage Temperature	-40°C to +55°C
Vibration	IEC-60068-2-6 Test Fc
Temperature Cycle	IEC 60945
Humidity	IEC-60068-2-30 Test Db
Corrosion	IEC 60945
Weight <i>with breakers</i>	16 lbs. (7.25 kg)

Dimensional Specifications: in. [mm]

8 Circuit AC Power Distribution Unit A3000-08-[]



Mounting Dimensions shown in Blue represented underneath cover.



Worldwide Headquarters

Carling Technologies, Inc.
60 Johnson Avenue, Plainville, CT 06062
Phone: 860.793.9281 **Fax:** 860.793.9231
Email: sales@carlingtech.com

Northern Region Sales Office: nrsm@carlingtech.com
Southeast Region Sales Office: sersm@carlingtech.com
Midwest Region Sales Office: mrrsm@carlingtech.com
West Region Sales Office: wrsm@carlingtech.com
Latin America Sales Office: larsm@carlingtech.com

Asia-Pacific Headquarters

Carling Technologies, Asia-Pacific Ltd.,
Kowloon, Hong Kong
Phone: Int + 852-2737-2277 **Fax:** Int + 852-2736-9332
Email: sales@carlingtech.com.hk

Shenzhen, China: shenzhen@carlingtech.com
Shanghai, China: shanghai@carlingtech.com
Pune, India: india@carlingtech.com
Kaohsiung, Taiwan: taiwan@carlingtech.com
Yokohama, Japan: japan@carlingtech.com

Europe | Middle East | Africa Headquarters

Carling Technologies LTD
4 Airport Business Park, Exeter Airport,
Clyst Honiton, Exeter, Devon, EX5 2UL, UK
Phone: Int + 44 1392.364422 **Fax:** Int + 44 1392.364477
Email: ltd.sales@carlingtech.com

Germany: gmbh@carlingtech.com
France: sas@carlingtech.com

