

# 611/621-Series

Small-Sized Rocker Switches

[PRODUCT WEBPAGE](#)

*request sample, configure part*



The 611/621-Series small-size, sleek styling, actuator and termination choices make this switch a cost effective solution to most any switching need. International approvals, single or double pole circuitry, and ratings to 11A 125VAC further the broad appeal of this product family.

**1-2**  
Poles

**.4-11**  
Amps

**125-250**  
VAC

**12-24**  
VDC

## Typical Applications

- Appliances
- Audio-Visual
- Power Supplies

# Tech Specs

## Dielectric Strength

UL/CSA: 1000V - live to dead metal parts & opposite polarity  
 VDE: 4000V - live to dead metal parts; 1250V opposite polarity & across open contacts

## Electrical Life

50,000 cycles- single pole  
 50,000 cycles- double pole

## Operating Temperature

32°F to 185°F (0°C to 85°C)

# Ordering Scheme

Sample Part Number **62116919 - 0 - 9 - V**

Selection 1 2 3 4

### 1. SERIES

|  | 187 Tabs <sup>4</sup> | .080 Solder Lugs | PC Terms | Wire Leads            | PC Front Mount        | PC Back Mount         | .187 Solder Lugs |
|--|-----------------------|------------------|----------|-----------------------|-----------------------|-----------------------|------------------|
| <b>Single Pole; 4A 250VAC; 8A 125VAC; 6(4) A 250V <sup>4</sup></b> |                       |                  |          |                       |                       |                       |                  |
| ON-NONE-OFF  | 62116919              | -                | -        | 62111914              | 62111918 <sup>6</sup> | 62111917 <sup>6</sup> | 62111916         |
| ON-NONE-ON   | 62116929              | 62116421         | 62111422 | 62111924              | 62111928 <sup>6</sup> | 62111927 <sup>6</sup> | 62111926         |
| ON-OFF-ON <sup>3</sup>   | -                     | 62111461         | 62111462 | 62111263 <sup>7</sup> | -                     | -                     | -                |
| ON-NONE-(ON) <sup>3</sup>  | -                     | 62111431         | 62111432 | 62111233 <sup>7</sup> | -                     | -                     | -                |
| ON-OFF-(ON) <sup>3</sup>   | -                     | 62111471         | 62111472 | 62111273 <sup>7</sup> | -                     | -                     | -                |
| (ON)-OFF-(ON) <sup>3</sup>   | -                     | 62111481         | 62111482 | 62111283 <sup>7</sup> | -                     | -                     | -                |
| <b>Double Pole; 4A 250VAC; 8A 125VAC; 6(4) A 250V <sup>4</sup></b> |                       |                  |          |                       |                       |                       |                  |
| ON-NONE-OFF  | 62115919              | -                | -        | 62112914              | 62112918 <sup>6</sup> | 62112917 <sup>6</sup> | 62112916         |
| ON-NONE-ON   | 62115929              | 62112421         | 62112422 | 62112924              | 62112928 <sup>6</sup> | 62112927 <sup>6</sup> | 62112926         |
| ON-OFF-ON <sup>3</sup>   | -                     | 62112461         | 62112462 | 62112263 <sup>7</sup> | -                     | -                     | -                |
| ON-NONE-(ON) <sup>3</sup>  | -                     | 62112431         | 62112432 | 62112233 <sup>7</sup> | -                     | -                     | -                |
| ON-OFF-(ON) <sup>3</sup>   | -                     | 62112471         | 62112472 | 62112273 <sup>7</sup> | -                     | -                     | -                |
| (ON)-OFF-(ON) <sup>3</sup>   | -                     | 62112481         | 62112482 | 62112283 <sup>7</sup> | -                     | -                     | -                |

### 2. TERMINAL SEALING

- 0** None
- E** Epoxy sealed terminals

#### Notes:

- 1 Base part number specifies black rocker with black bezel. To specify paddle actuator change 2nd digit from 2 to 1. ex: 61115919 = black paddle with black bezel.
- 2 For additional ratings & colors, consult factory.
- 3 Dry circuit rating is available, consult factory.
- 4 Not available with 6(4) A 250 V rating or VDE approval.
- 5 6(4) A 250V VDE approved rating available with On-none-Off and On-none-On circuits only.
- 6 Available with visi-rocker option only.
- 7 Consult factory for PC footprint.
- 8 Rated 2A 250VAC, 5A 125 VAC resistive.
- ( ) Indicates momentary function.

### 3. ROCKER LEGEND

|                    | molded in <sup>5</sup> | hot stamp        |
|--------------------|------------------------|------------------|
| NO LEGEND          | 0                      | 0                |
| Off-On vertical    | n/a                    | A                |
| Off-On horizontal  | n/a                    | B                |
| I-O horizontal     | 8                      | D                |
| I-O vertical       | 9                      | E                |
| O on rocker radius | n/a                    | F (Indicates ON) |

### 4. VISI-ROCKER END COLOR

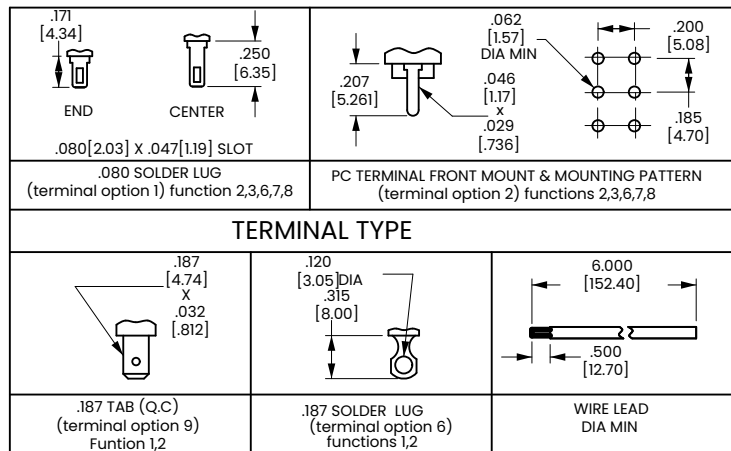
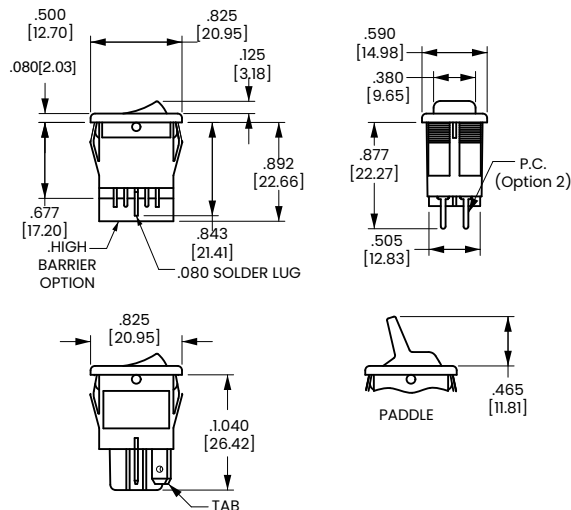
- N** n/a
- V** visi-red
- W** visi-white

[Configure Complete Part Number >](#)

[Browse Standard Parts >](#)

# Dimensional Specs

inches [millimeters]



| PANEL THICKNESS            | X            | Y            |
|----------------------------|--------------|--------------|
| .030 [0.762] - .060 [1.52] | .508 [12.90] | .756 [19.20] |
| .060 [1.52] - .093 [2.36]  | .508 [12.90] | .764 [19.40] |
| .093 [2.36] - .156 [3.96]  | .508 [12.90] | .780 [19.81] |

TEST CUT HOLE IN ACTUAL MATERIAL

## Authorized Sales Representatives and Distributors

Click on a region of the map below to find your local representatives and distributors or visit [www.carlingtech.com/findarep](http://www.carlingtech.com/findarep).



## About Carling

Founded in 1920, Carling Technologies is a leading manufacturer of electrical and electronic switches and assemblies, circuit breakers, electronic controls, power distribution units, and multiplexed power distribution systems. With six ISO9001 and IATF16949 registered manufacturing facilities and technical sales offices worldwide, Carling Technologies Sales, Service and Engineering teams do much more than manufacture electrical components, they engineer powerful solutions! To learn more about Carling please visit [www.carlingtech.com/company-profile](http://www.carlingtech.com/company-profile).

To view all of Carling's environmental, quality, health & safety certifications please visit [www.carlingtech.com/environmental-certifications](http://www.carlingtech.com/environmental-certifications).