

# 16-3P

## 16-3P-Series

### PUSHBUTTON SWITCHES

The 16-3P-Series pushbutton switches are single pole and AC rated up to 3 amps. These momentary action switches have a slow-make, slow-break contact mechanism and require only light actuation force (4 oz. - 1 lb.). These switches are typically used in general purpose applications requiring finger actuation.



#### Product Highlights:

- ◆ Maintained, Momentary and 2 circuit function choices
- ◆ Available with optional overtravel plunger action
- ◆ Light 4 oz – 1 lb actuation force
- ◆ Metal plunger available with optional colored plastic cap

#### Typical Applications:

- ◆ Test & Measurement
- ◆ Audio Visual



### Dielectric Strength

UL/CSA: 1000V - live to dead metal parts

### Mechanical Life

100,000 cycles

### Electrical Life

25,000 cycles

### Operating Temperature

32°F to 185°F (0°C to 85°C)

**16-3POFF** - **4** - **CBL**

<sup>1</sup>  
Base Part Number

<sup>2</sup>  
Bushing

<sup>3</sup>  
Actuator Style

**1 BASE PART NUMBER: SERIES / POLES / CIRCUITRY / RATING / TERMINATION**

**Single Pole**

**3A 125VAC**

Off-(On)  
Off-(On) with overtravel <sup>1</sup>  
On-(Off)

Solder Lug      Wire Leads

16-3P Off      16-3AP Off  
16-3P Off-Ov      16-3AP Off-Ov  
16-3P On      16-3AP On

**1A 125VAC**

On-On  
On-On with overtravel <sup>1</sup>  
1 On-1 Off (2 circuit)  
1 On-1 Off with overtravel <sup>1</sup> (2 circuit)

116-P      116-AP  
116-P-OV      116-AP-OV  
516-P      516-AP  
516-P-OV      516-AP-OV

**2 BUSHING STYLE**

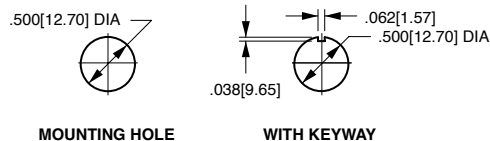
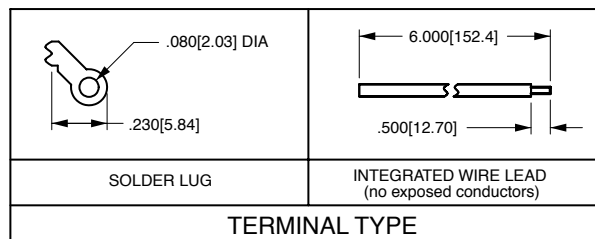
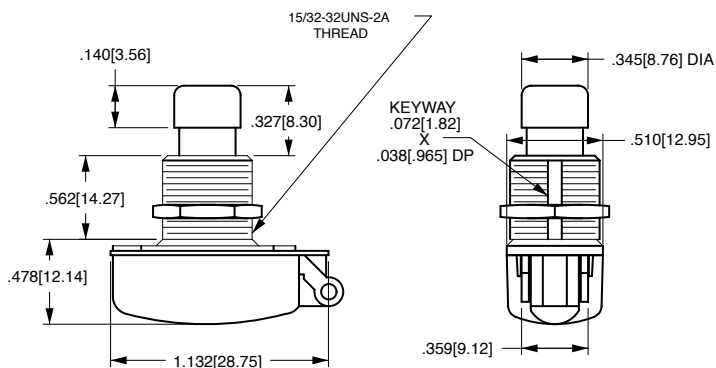
**2**      .312 length  
**4**      .562 length

**3 ACTUATOR STYLE <sup>2</sup>**

**CBL**      black plastic color cap  
**CRD**      red plastic color cap

Notes:

- 1 Overtravel only available with #4 bushing.
- 2 When selection 3 is left blank, a standard nickel plated plunger is supplied.
- ( ) Indicates momentary function.



\*Manufacturer reserves the right to change product specification without prior notice.

## Authorized Sales Representatives and Distributors

Click on a region of the map below to find your local representatives and distributors or visit [www.carlingtech.com/findarep](http://www.carlingtech.com/findarep).



## About Carling

Founded in 1920, Carling Technologies is a leading manufacturer of electrical and electronic switches and assemblies, circuit breakers, electronic controls, power distribution units, and multiplexed power distribution systems. With four ISO registered manufacturing facilities and technical sales offices worldwide, Carling Technologies Sales, Service and Engineering teams do much more than manufacture electrical components, they engineer powerful solutions! To learn more about Carling please visit [www.carlingtech.com/company-profile](http://www.carlingtech.com/company-profile).

To view all of Carling's environmental, quality, health & safety certifications please visit [www.carlingtech.com/environmental-certifications](http://www.carlingtech.com/environmental-certifications)

## **Worldwide Headquarters**

Carling Technologies, Inc.  
60 Johnson Avenue, Plainville, CT 06062  
**Phone:** 860.793.9281 **Fax:** 860.793.9231  
**Email:** sales@carlingtech.com

**Northern Region Sales Office:** nrsm@carlingtech.com  
**Southeast Region Sales Office:** sersm@carlingtech.com  
**Midwest Region Sales Office:** mrrsm@carlingtech.com  
**West Region Sales Office:** wrsm@carlingtech.com  
**Latin America Sales Office:** larsm@carlingtech.com

## **Asia-Pacific Headquarters**

Carling Technologies, Asia-Pacific Ltd.,  
Suite 1607, 16/F Tower 2, The Gateway,  
Harbour City, 25 Canton Road,  
Tsimshatsui, Kowloon, Hong Kong  
**Phone:** Int + 852-2737-2277 **Fax:** Int + 852-2736-9332  
**Email:** sales@carlingtech.com.hk

**Shenzhen, China:** shenzhen@carlingtech.com  
**Shanghai, China:** shanghai@carlingtech.com  
**Pune, India:** india@carlingtech.com  
**Kaohsiung, Taiwan:** taiwan@carlingtech.com  
**Yokohama, Japan:** japan@carlingtech.com

## **Europe | Middle East | Africa Headquarters**

Carling Technologies LTD  
4 Airport Business Park, Exeter Airport,  
Clyst Honiton, Exeter, Devon, EX5 2UL, UK  
**Phone:** Int + 44 1392.364422 **Fax:** Int + 44 1392.364477  
**Email:** ltd.sales@carlingtech.com

**Germany:** gmbh@carlingtech.com  
**France:** sas@carlingtech.com



**Carling Technologies®**

Innovative Designs. Powerful Solutions.