

PP-Series



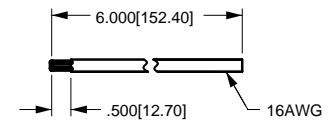
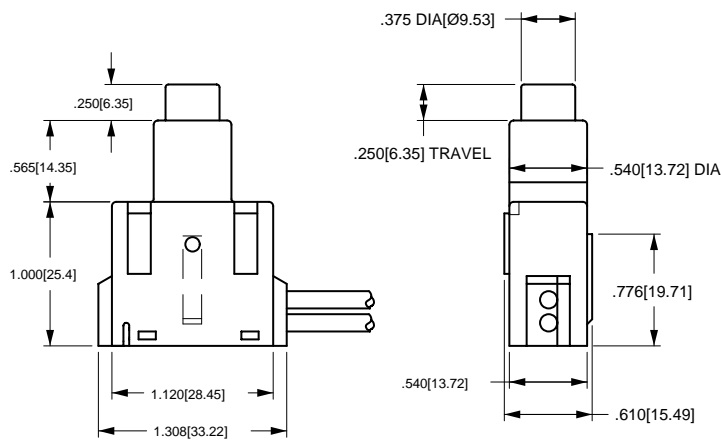
The new PP-Series plastic pushbutton switches are heavy-duty, single pole switches with wire leads. They are alternate action, available in single throw construction, with AC ratings up to 15 amps. Both bushing and bracket are made out of nylon.

Specifications

- Certifications*: UL, CSA
- Dielectric Strength: 1,000 V (minimum)
- Insulation Resistance: 100 Megohms (minimum)
- Base Material: Polycarbonate
- Plunger Material: Nylon
- Housing Material: Nylon

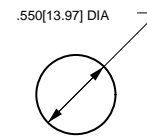
* Due to ongoing technological advances, consult factory for certification specifics.

Dimensional Specifications: in. [mm]

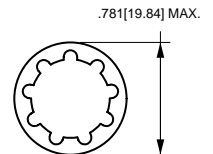


INTEGRATED WIRE LEAD
(NO EXPOSED CONDUCTORS)

TERMINAL TYPE



MOUNTING HOLE



FASTENER
FASTENER THICKNESS .010

OPTIONAL FASTENER

PP	A	51	5	-	A	C
SERIES	CIRCUIT	RATING	TERMINATION		BUSHING	BUTTON STYLE
PP SINGLE POLE PUSHBUTTON	A ON-OFF	51 10A 250VAC 15A 125VAC 52 10A 250VAC 15A 125VAC 3/4HP 125-250VAC	5 WIRE LEAD		A .540 DIA X .565	C

NOTES:
Shading indicates standard configurations.