

PP-Series Toggle Switches



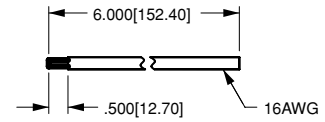
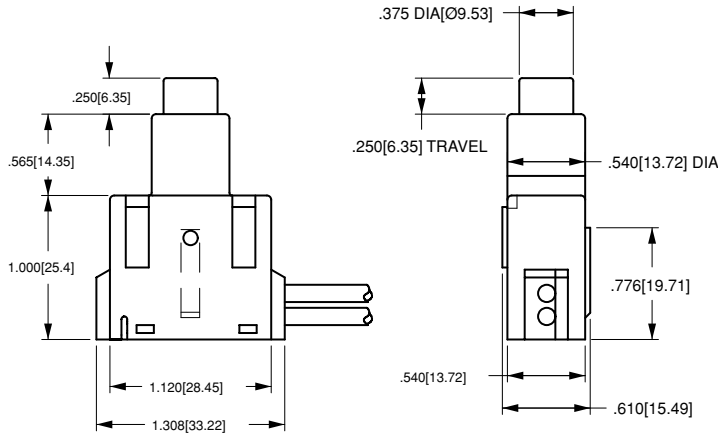
The new PP-Series plastic pushbutton switches are heavy-duty, single pole switches with wire leads. They are alternate action, available in single throw construction, with AC ratings up to 15 amps. Both bushing and bracket are made out of nylon. These high current switches are popular with in the Appliance market.

Dielectric Strength
UL/CSA: 1000V - live to dead metal parts & opposite polarity

Electrical Life
50,000 cycles

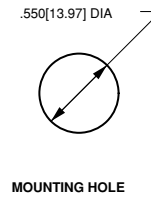
Mechanical Life
100,000 cycles

Operating Temperature
32°F to 185°F (0°C to 85°C)

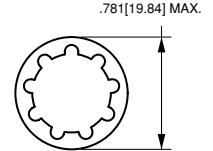


INTEGRATED WIRE LEAD
(NO EXPOSED CONDUCTORS)

TERMINAL TYPE



MOUNTING HOLE



FASTENER
FASTENER THICKNESS .010

OPTIONAL FASTENER

PPA525-AC

¹
Part Number

1 PART NUMBER: SERIES/ACTUATOR/CIRCUITRY/RATING/TERMINATION

| | |
|---|------------------------|
| 10A 250VAC, 15A 125VAC, 3/4HP 125-250VAC | <i>screw terminals</i> |
| ON-OFF | PPA525-AC |
| 10A 250VAC, 15A 125VAC | |
| ON-OFF | PAA515-AC |